

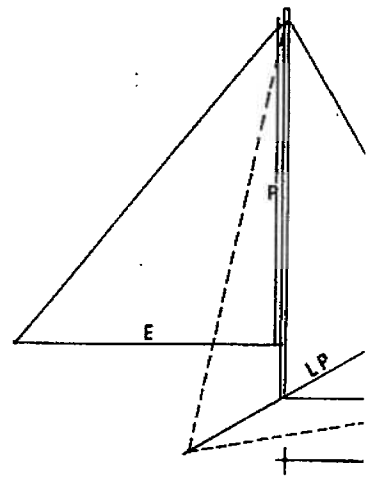
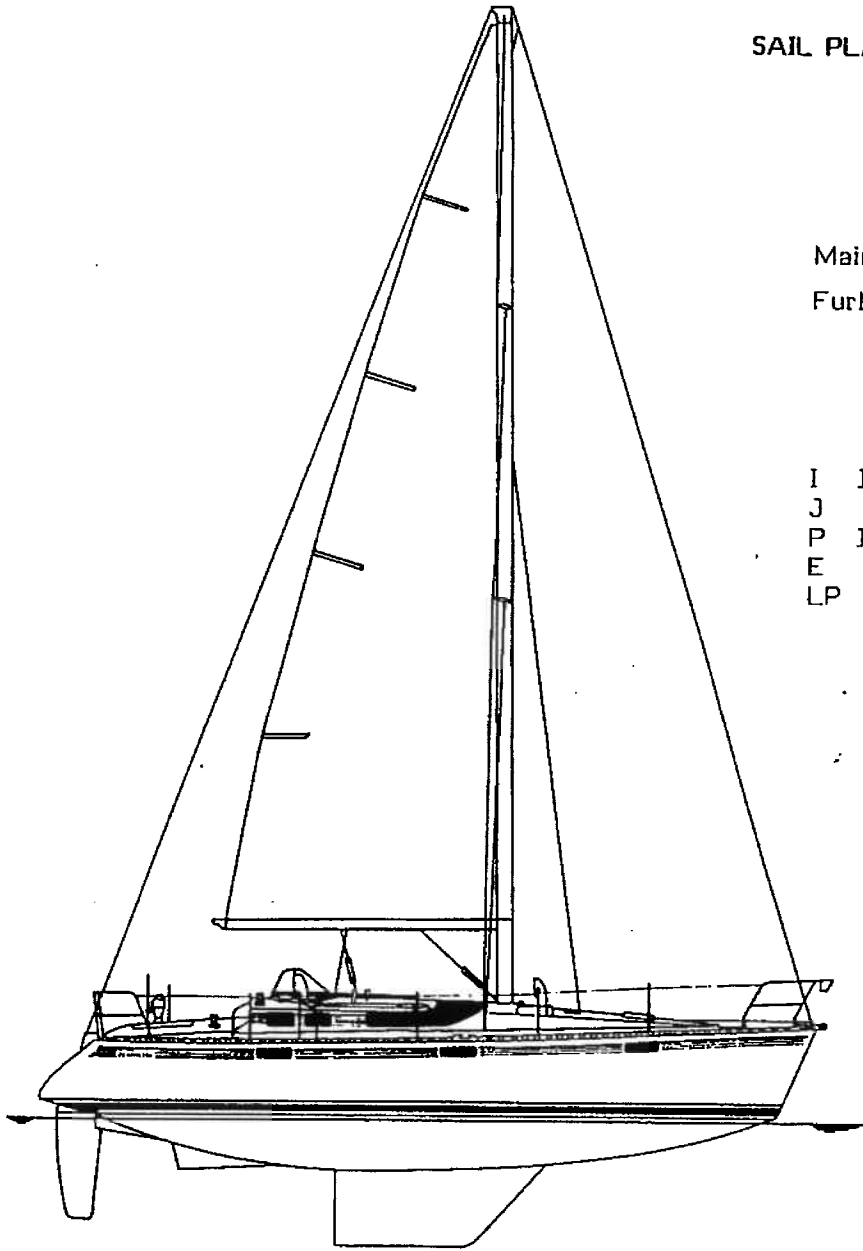
OCEANIS 390

SAIL PLAN

Main sail : 29,33 m<sup>2</sup>

Furling genoa : 42,80 m<sup>2</sup>

I 14,48  
J 4,39  
P 12,70  
E 4,20  
LP 6,58

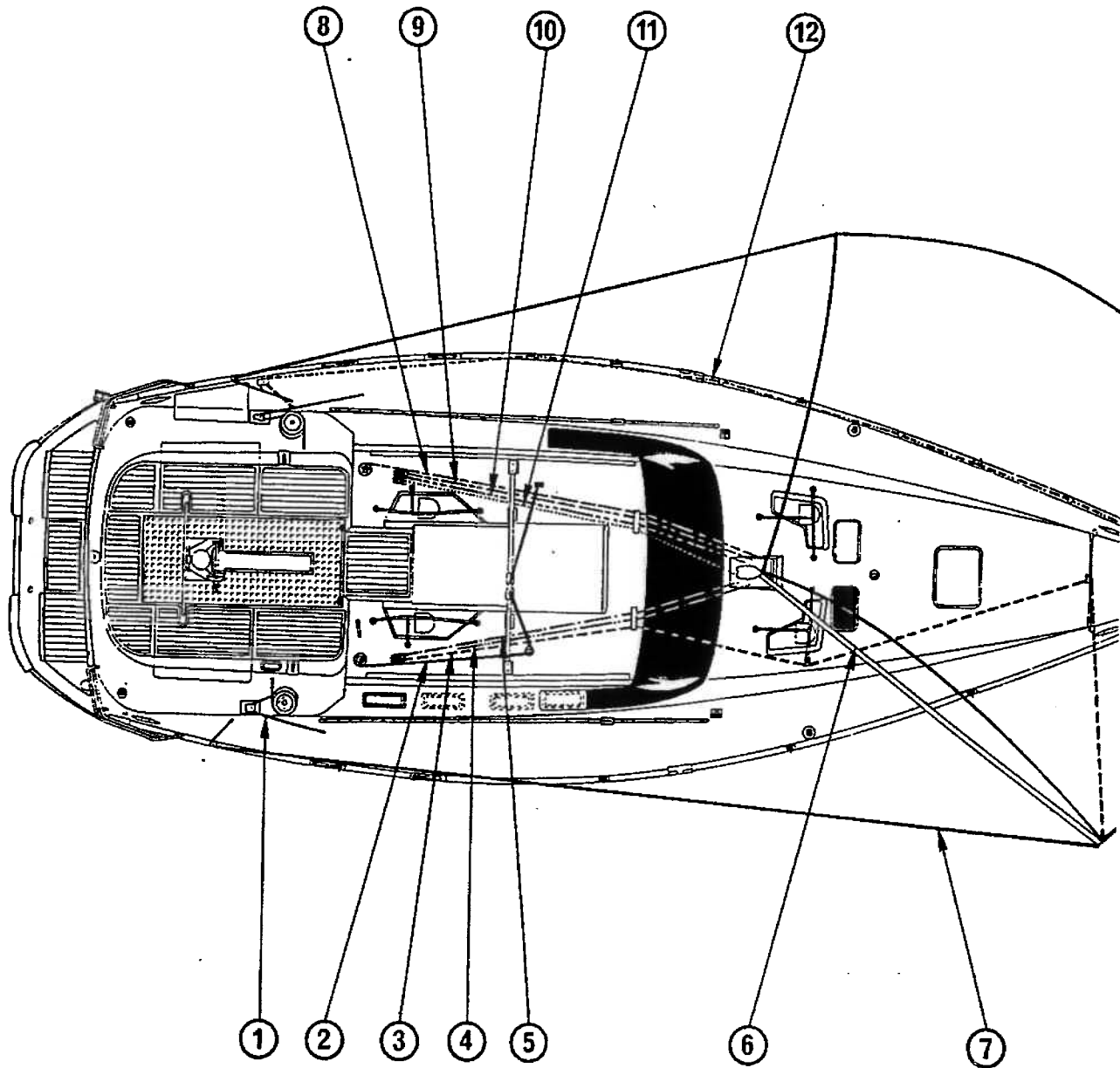


OCEANIS 390

DECK LAYOUT

- 01 - Jib sheet
- 02 - Main sheet
- 03 - Spinnaker downhaul
- 04 - Genoa halyard
- 05 - Spinnaker topping lift
- 06 - Spinnaker pole
- 07 - Spinnaker sheet
- 08 - Main halyard
- 09 - Spinnaker halyard
- 10 - Reef 1
- 11 - Reef 2
- 12 - Furling jib control line

OCEANIS 390 - DECK LAYOUT



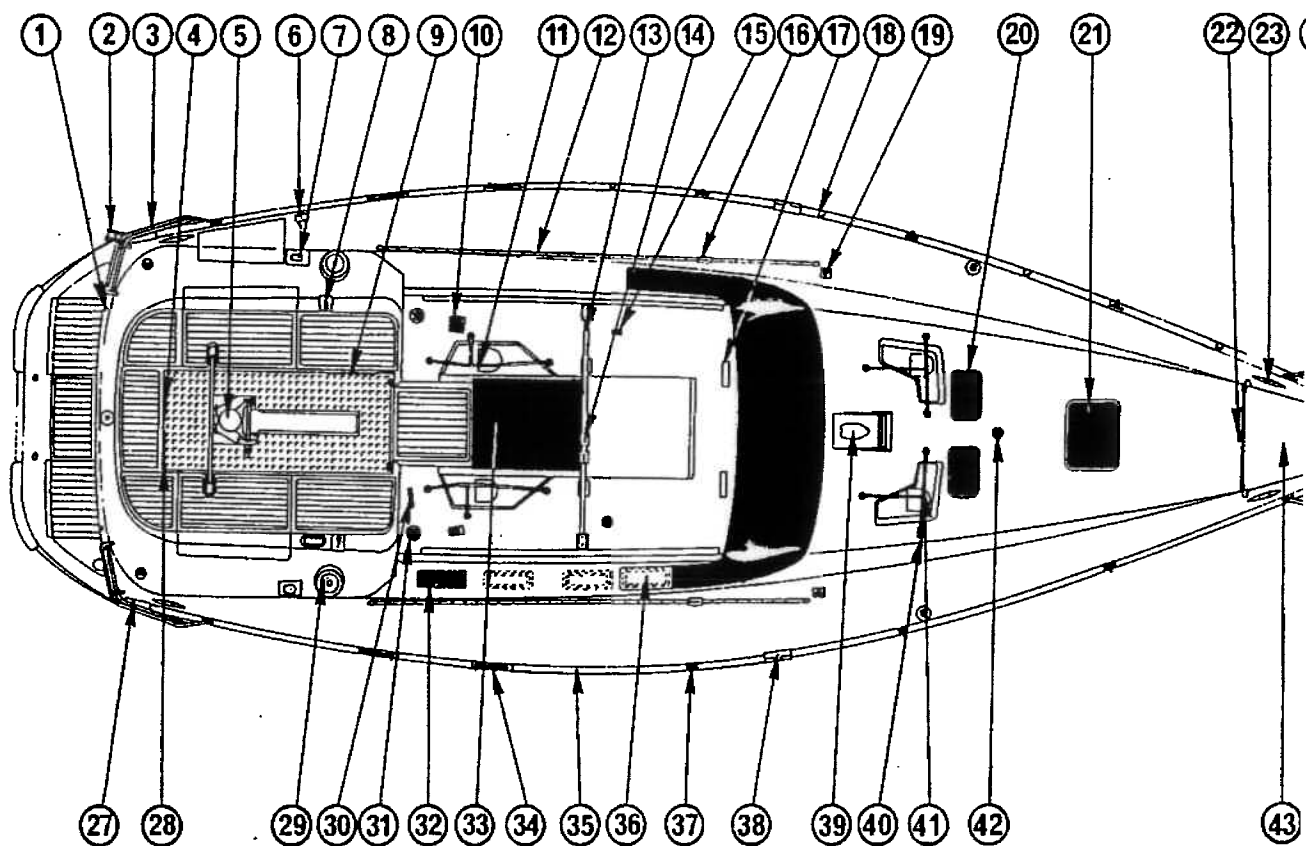
## OCEANIS 390

### DECK FITTINGS

- 01 - Backstay chainplate
- 02 - Fairlead and bow sheave with rollers
- 03 - Aft pulpit
- 04 - Constructor sheet
- 05 - Steering unit
- 06 - Horizontal deck stopper
- 07 - Genoa sheet turning block
- 08 - Wedging cleat
- 09 - Opening porthole
- 10 - Double deck stopper
- 11 - Companionway pulpit
- 12 - Genoa track
- 13 - Main track
- 14 - Main traveller car
- 15 - Chainplate
- 16 - Genoa sheet car
- 17 - Deck turning block
- 18 - Sheave furling jib control line
- 19 - Shroud chainplate
- 20 - Deck opening hatch
- 21 - Deck opening hatch
- 22 - Chainplate
- 23 - Mooring cleat
- 24 - Bow pulpit
- 25 - Forestay chainplate
- 26 - Bow fitting
- 27 - Fairlead with rollers
- 28 - Mechanical board
- 29 - L 46 C winch
- 30 - Wedging cleat
- 31 - L 24 C winch
- 32 - Opening porthole
- 33 - Sliding hatch
- 34 - Double stanchion
- 35 - Toerail
- 36 - Opening porthole
- 37 - Simple stanchion
- 38 - Intermediary stanchion
- 39 - Mast step
- 40 - Bull's eye
- 41 - Mast step pulpit
- 42 - Babystay chainplate
- 43 - Mooring locker hatch

OCEANIS 390

DECK FITTINGS



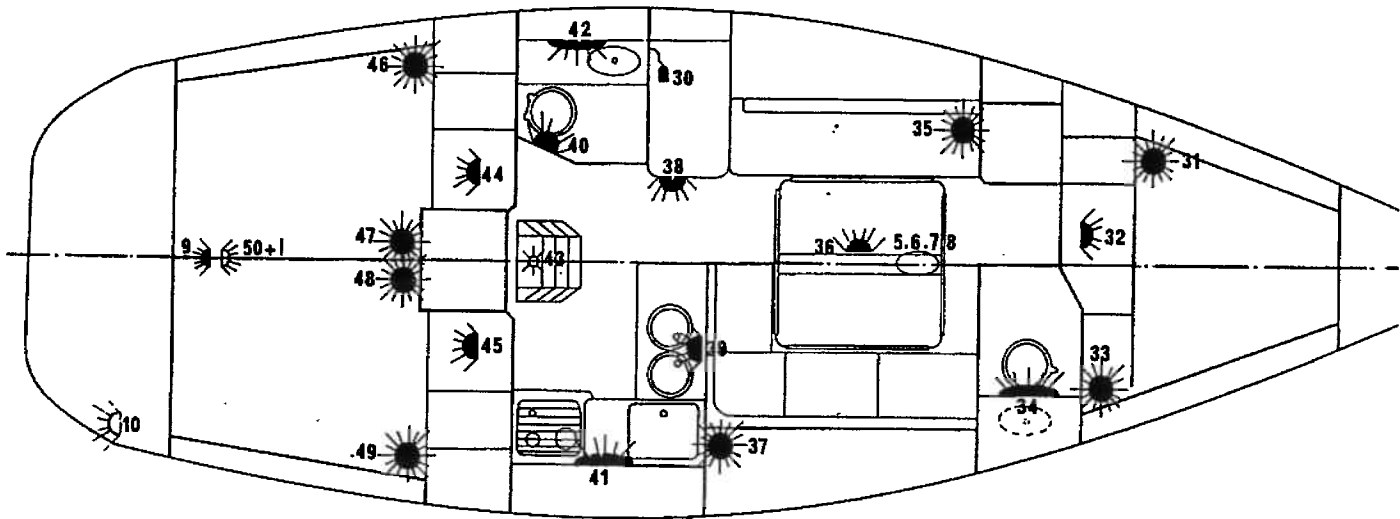
## OCEANIS 390








### ELECTRIC INSTALLATION

- 01 - Running light
- 05 - Mooring light
- 06 - Range light
- 07 - Deck light
- 08 - Common negative wire for mast
- 09 - Compass lighting
- 10 - Stern light
- 30 - Chart reading lamp
- 31 - Port forward cabin minispot
- 32 - Forward cabin ceiling light
- 33 - Starboard forward cabin minispot
- 35 - Port saloon minispot
- 36 - Saloon table ceiling light
- 37 - Starboard saloon minispot
- 38 - Port aft saloon ceiling light
- 39 - Galley ceiling light
- 40 - Port aft toilet ceiling light
- 41 - Galley fluorescent light
- 42 - Port aft toilet fluorescent light
- 43 - Companion way night light
- 44 - Port aft cabin ceiling light
- 45 - Starboard aft cabin ceiling light
- 46 - Port aft cabin minispot
- 47 - Port aft cabin minispot
- 48 - Starboard aft cabin minispot
- 49 - Starboard aft cabin minispot
- 50 + 1 - Cockpit lighting

# OCEANIS 390

## ELECTRIC INSTALLATION



-  Fluorescent light
-  Minispot
-  Chart reading lamp
-  Ceiling light
-  Night light
-  Compass lighting
-  Light

## OCEANIS 390

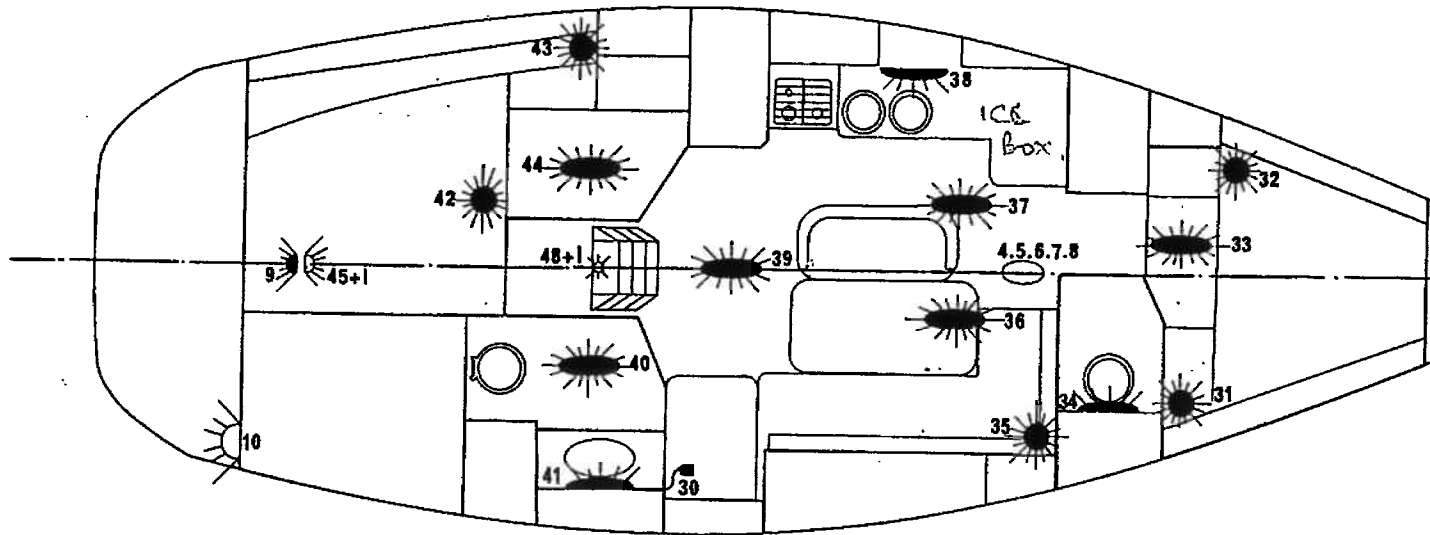
### ELECTRIC INSTALLATION Owner's version







- 01 - Red/green light
- 04 - 3 color masthead light
- 05 - Mooring light
- 06 - Range light
- 07 - Deck light
- 08 - Common negative for mast
- 09 - Compass lighting
- 10 - Stern light
- 30 - Chart reading lamp
- 31 - Starboard forward cabin bedside lamp
- 32 - Port forward cabin bedside lamp
- 33 - Forward ceiling light
- 34 - Forward sink fluorescent light
- 35 - Starboard saloon bedside lamp
- 36 - Starboard saloon fluorescent light
- 37 - Port saloon fluorescent light
- 38 - Galley fluorescent light
- 39 - Saloon middle ceiling light
- 40 - Aft shower fluorescent light
- 41 - Aft sink fluorescent light
- 42 - Starboard aft cabin bedside lamp
- 43 - Port aft cabin bedside lamp
- 44 - Aft cabin fluorescent light
- 45 + I - Cockpit table lighting
- 48 + I = Companion way night light



# OCEANIS 390

## ELECTRIC INSTALLATION - OWNER'S VERSION



-  Fluorescent light
-  Bedside lamp
-  Chart reading lamp
-  Night light
-  Light
-  Compass lighting

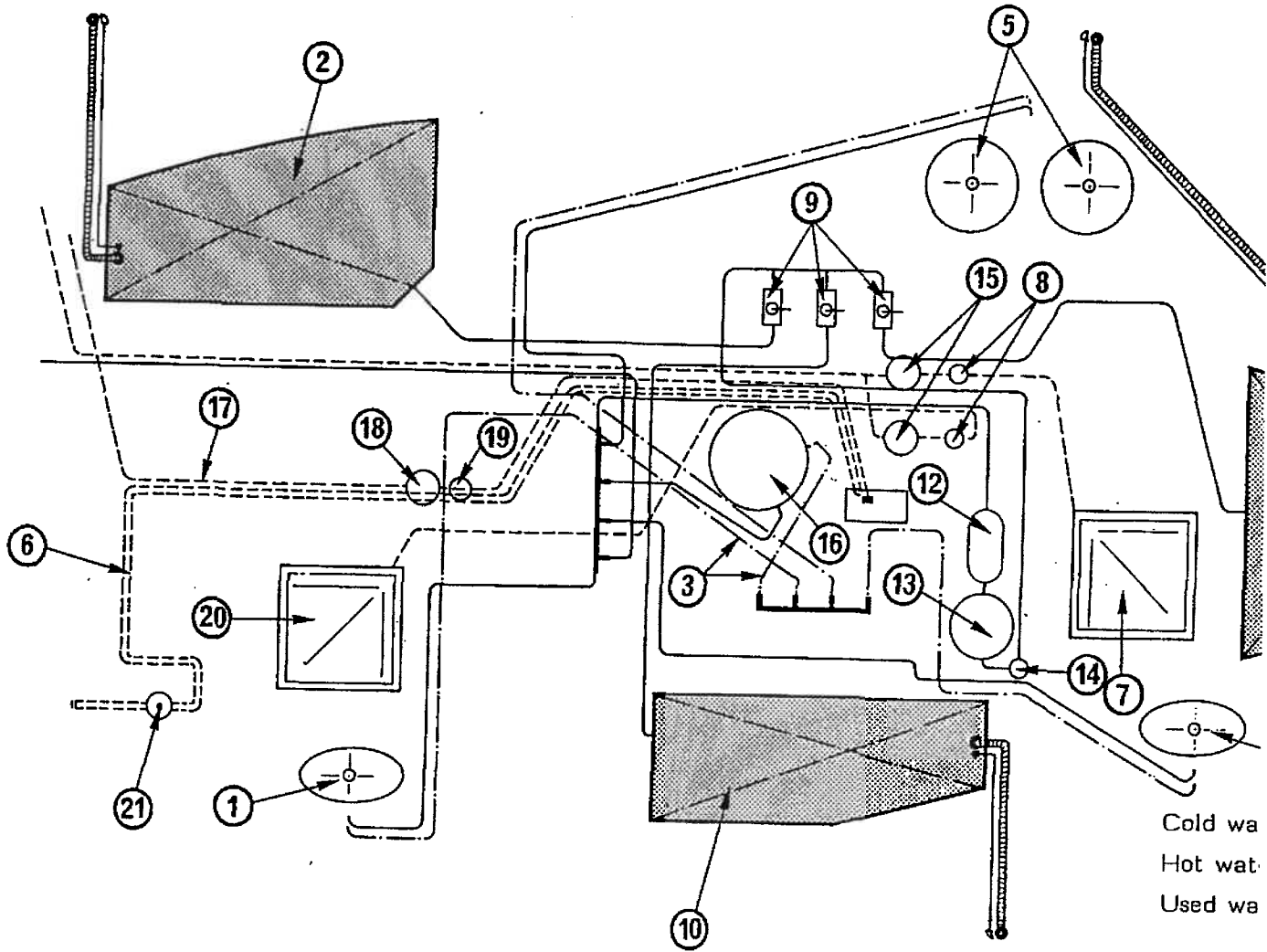
OCEANIS 390

FRESH WATER SYSTEM - OWNER'S VERSION

- 01 - Aft toilet sink
- 02 - Aft cabin tank
- 03 - Sink hose
- 04 - Forward toilet sink
- 05 - Galley sink
- 06 - Cesspool manual draining
- 07 - Forward toilet shower
- 08 - Shower draining pump filter
- 09 - Tank selection gates
- 10 - Starboard saloon tank
- 11 - Forward cabin tank
- 12 - Expansion tank
- 13 - Water unit
- 14 - Water flow control
- 15 - Shower draining pump
- 16 - Water heater
- 17 - Cesspool electronic draining
- 18 - Electric bilge pump
- 19 - Electric bilge pump filter
- 20 - Aft toilet shower
- 21 - Manual bilge pump

OCEANIS 390

FRESH WATER SYSTEM - OWNER'S VERSION



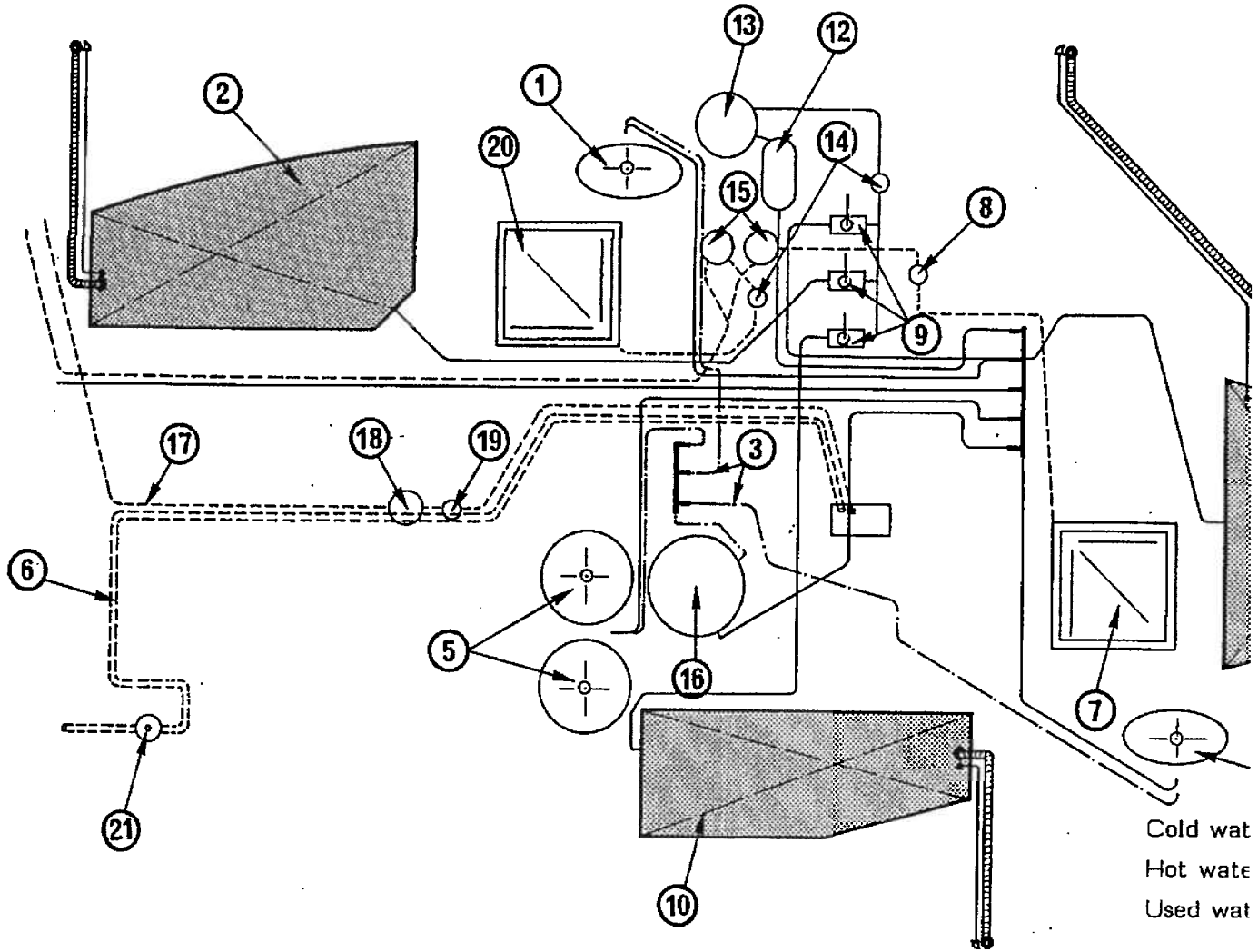
## OCEANIS 390

### FRESH WATER SYSTEM - CHARTER VERSION

- 01 - Port aft cabin sink
- 02 - Port aft cabin water tank
- 03 - Sink hot water hose
- 04 - Forward toilet sink
- 05 - Galley sinks
- 06 - Cesspool manual draining
- 07 - Forward toilet shower
- 08 - Shower draining pump filter
- 09 - Tank selection gates
- 10 - Réserve carré tribord
- 11 - Forward cabin tank
- 12 - Expansion tank
- 13 - Water unit
- 14 - Shower draining pump filter
- 15 - Shower draining pump
- 16 - Water heater
- 17 - Cesspool electronic draining
- 18 - Electric bilge pump
- 19 - Electric bilge pump filter
- 20 - Aft toilet shower
- 21 - Manual bilge pump

OCEANIS 390

FRESH WATER SYSTEM - CHARTER VERSION



OCEANIS 390

INSTALLATION MOTEUR - ENGINE INSTALLATION

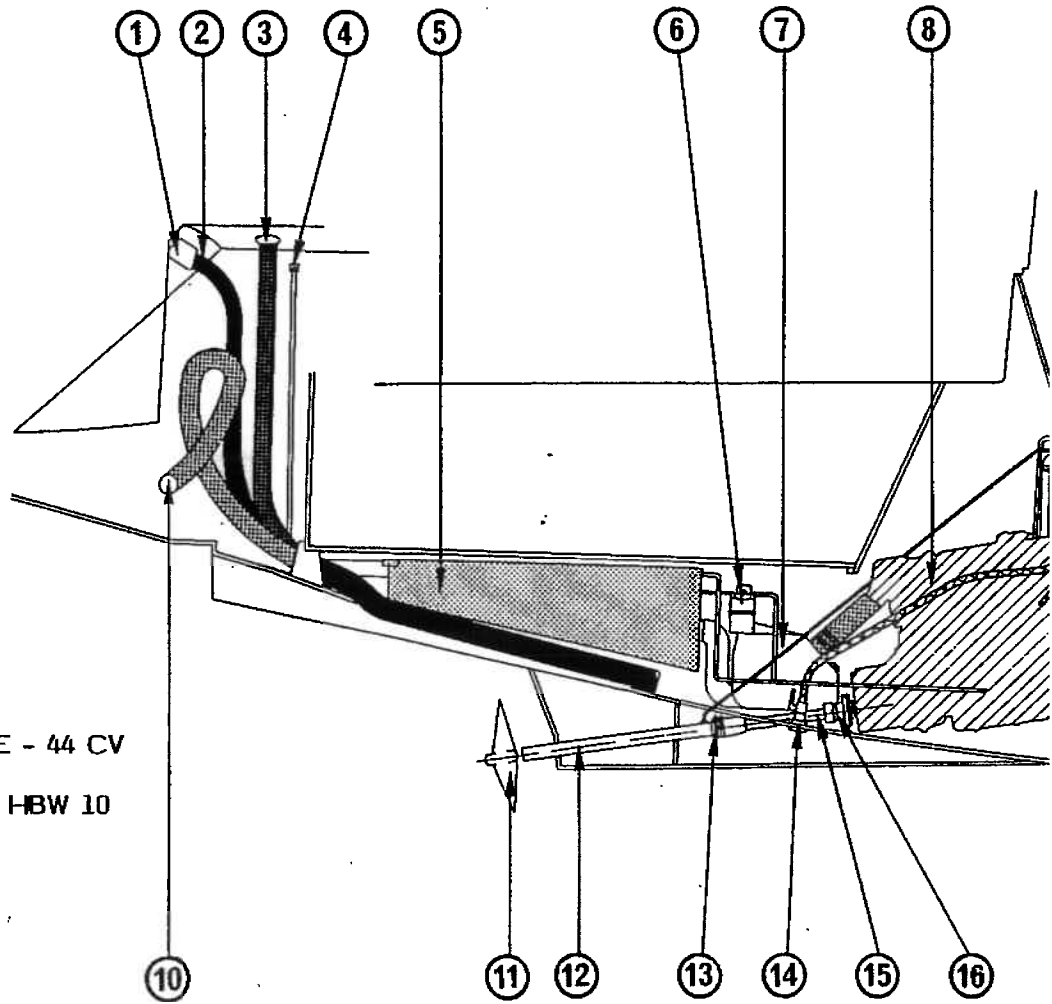
YANMAR 4JHE 44 CV

- 02 - Ventilateur de cale
- 05 - Réservoir gazole
- 06 - Filtre gazole
- 07 - Pot à eau
- 08 - Groupe moteur
- 09 - Filtre eau de mer
- 10 - Sortie d'échappement
- 17 - Batteries 124 A
- 18 - Tirette fermeture robinet carburant

- 02 - Bilge ventilation
- 05 - Diesel tank
- 06 - Diesel filter
- 07 - Exhaust mixing pot
- 08 - Engine unit
- 09 - Sea water filter
- 10 - Exhaust pipe
- 17 - 124 batteries
- 18 - Tank shut off cable

OCEANIS 390

ENGINE INSTALLATION

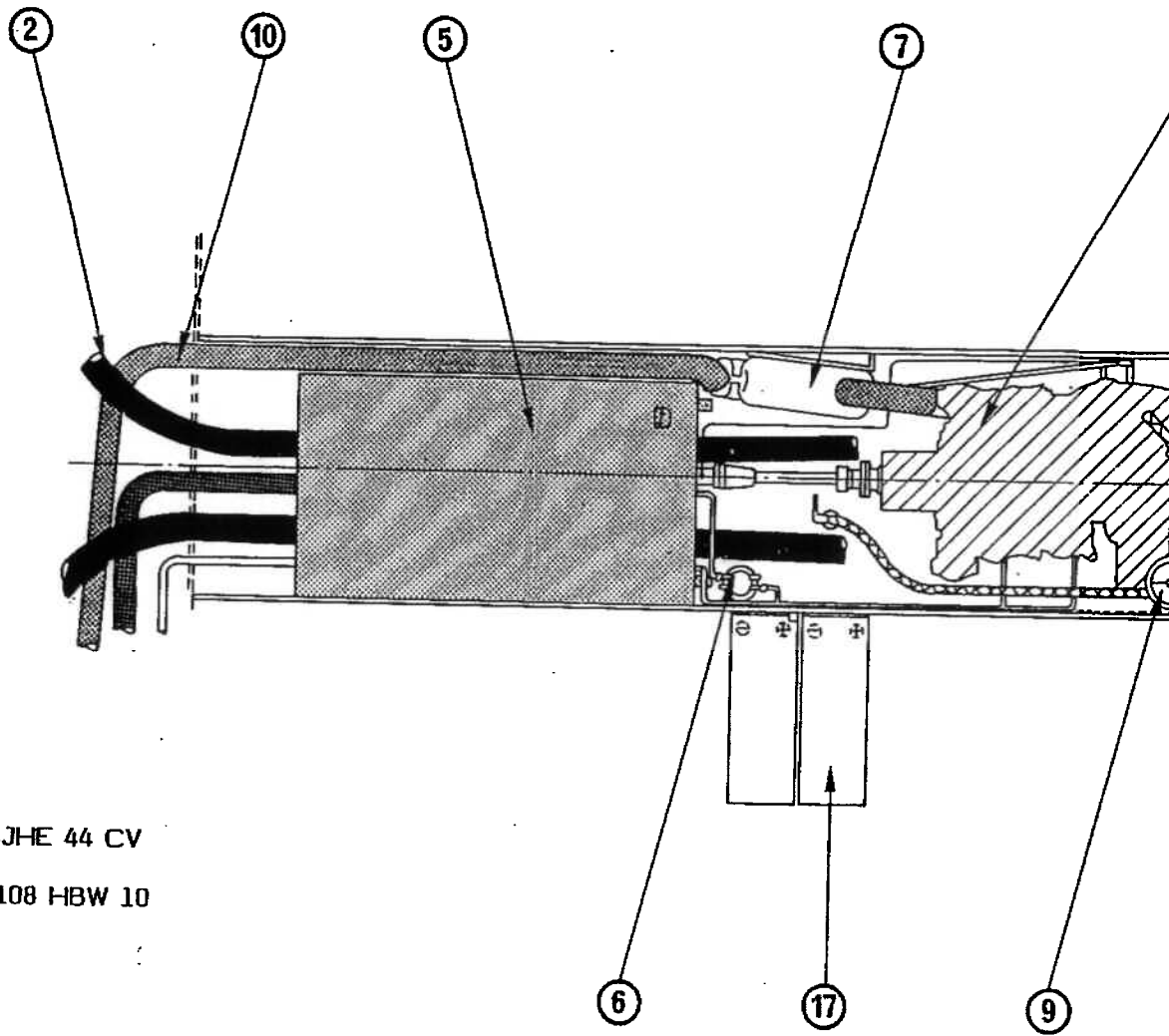


YANMAR 4JHE - 44 CV

PERKINS 4108 HBW 10

OCEANIS 390

ENGINE INSTALLATION



YANMAR 4JHE 44 CV  
PERKINS 4108 HBW 10



OCEANIS 390

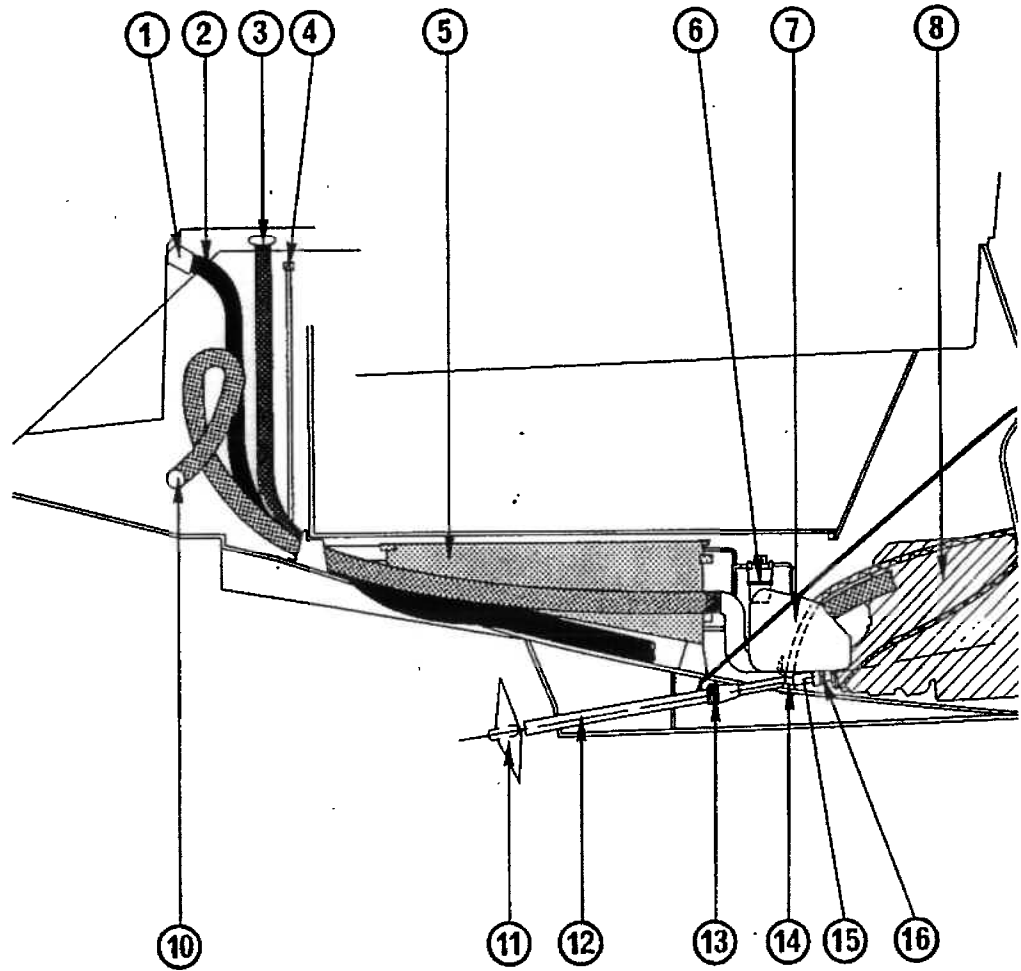
ENGINE INSTALLATION

VOLVO 2003 - PERKINS 4-20

- 01 - Engine ventilation
- 02 - Bilge ventilation
- 03 - Diesel tank filler
- 04 - Diesel tank ventilation
- 05 - Diesel tank
- 06 - Diesel filter
- 07 - Exhaust mixing pot
- 08 - Engine unit
- 09 - Sea water filter
- 10 - Exhaust pipe
- 11 - Propeller
- 12 - Shaft tube
- 13 - Stuffing box
- 14 - Thru hull filter
- 15 - Engine propeller shaft
- 16 - Shaft flange

OCEANIS 390

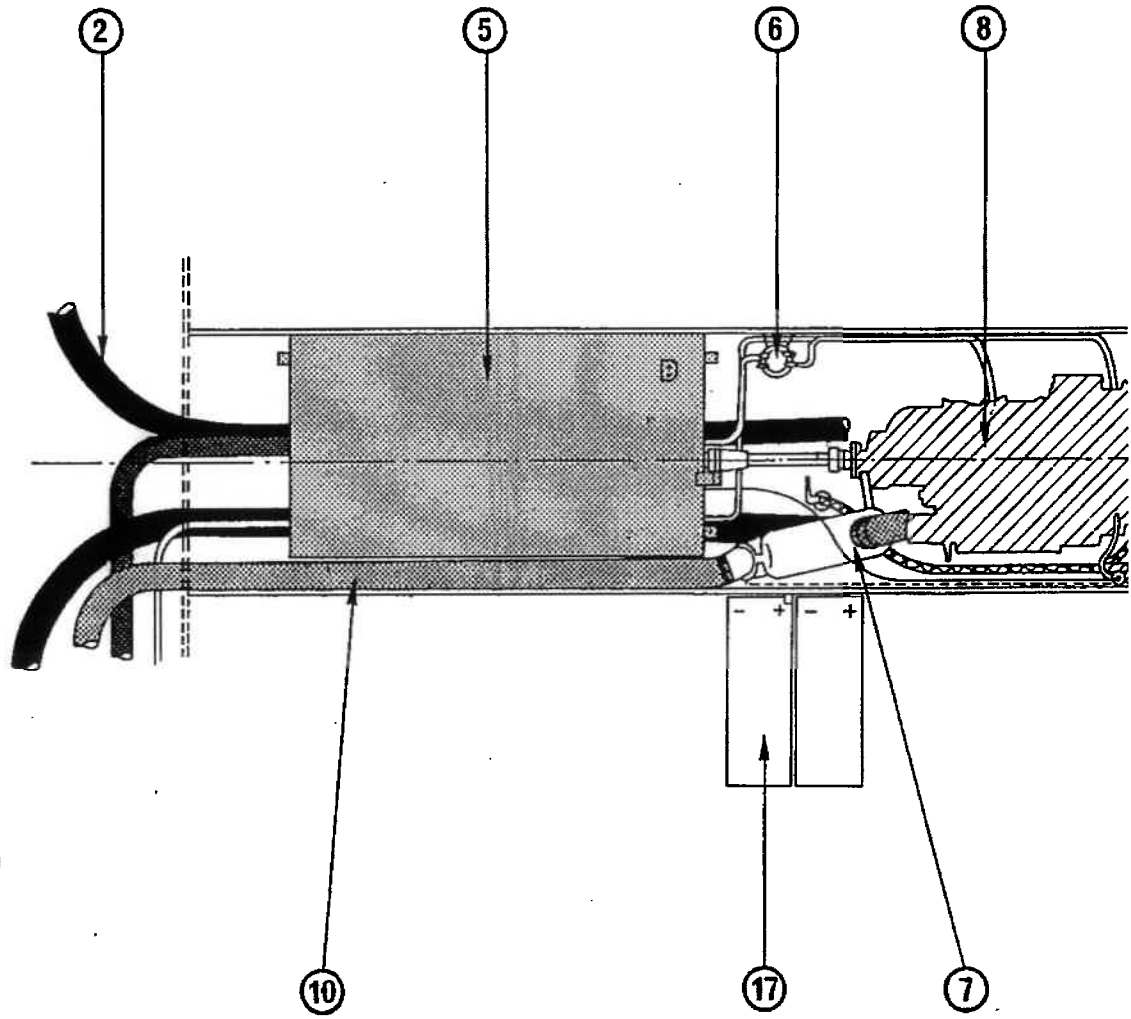
ENGINE INSTALLATION



VOLVO 2003  
PERKINS 4-20

OCEANIS 390

ENGINE INSTALLATION



VOLVO 2003  
PERKINS 4-20